

# KoolZone Door Sensor



## Magnetic Door Sensor

The sensor consists of two main parts, a magnet and a switch with terminals to connect the signal wires to the transmitter. The magnet mounts to a door, drawer or access panel, while the switch mounts to the surrounding frame.

Users can remotely check the door status through the web interface or use alarms for notification if a door is opened.

When the door is closed the two pieces should be within 1cm of each other. When the door opens this distance increases, eventually toggling the switch.

## Installation

The sensors are normally mounted with self-tapping screws.

## Calibration

Different levels of calibration are available, the manufacturers' calibration certification, UKAS calibration, and reference calibration at specific temperature points carried out by KoolZone.



**Open/Close Sensing**



**3 to 7 Years Battery Life**



**Operating Distance 1cm**



**Wireless**

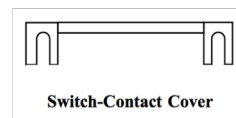
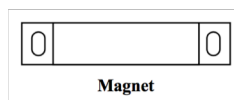
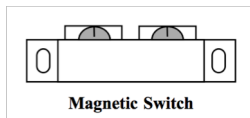


**Out-of-the-Box**

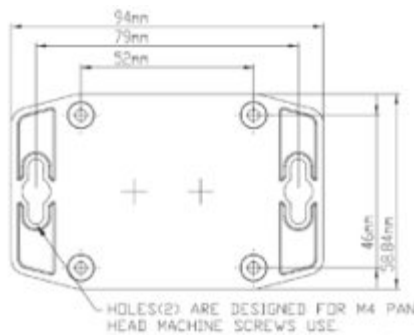
## Technical Specification

Sensor	Normally-open dry-contact
Cable type	2-conductor
Standard Cable length	15 cm (longer cables are available on request)
Compatibility	Works with KoolZone monitoring platform
Battery Life	3 to 7 Years

## Magnetic Sensor



## Wireless Transmitter



## Note

Monitored data and alarms are visible through KoolZone's sophisticated monitoring platform running on iOS or Android phone, iPad, tablet or laptop. Alert notifications can be sent by text, email, or phone.

### Contact Details:

**UK OFFICE**  
**KoolZone Ltd.**  
 The Hub, 14 Station Road,  
 Henley-on-Thames, Oxfordshire, RG9 1AY, UK

**GERMAN OFFICE**  
**KoolZone Tracking Systems GmbH**  
 Rotkamp 37,  
 13053 Berlin, Germany