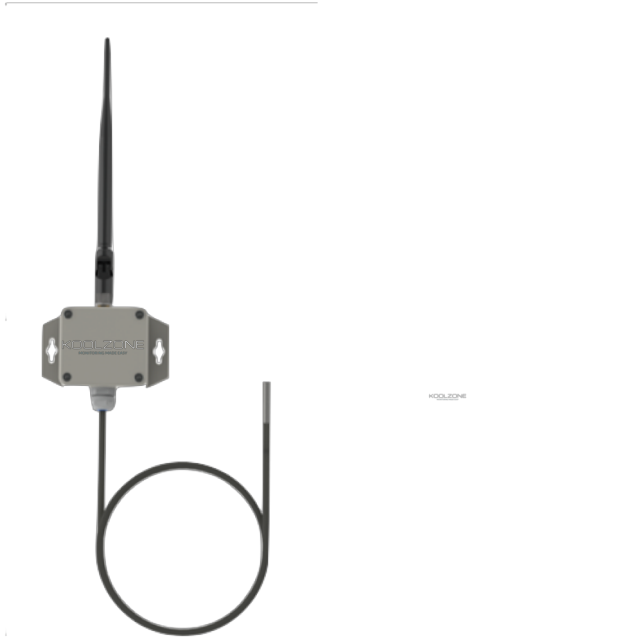


KoolZone White Temperature Sensor



Temperature Sensor

The KoolZone White Sensor is a LoRaWAN sensor suitable for monitoring temperatures ranging from -55°C to $+125^{\circ}\text{C}$. Based on advanced semiconductor sensor technology these durable sensors are highly accurate, stable, and have a long unit life.

Accuracy

This sensor employs an external DS 18B20 digital temperature probe, accurate to within $\pm 0.5^{\circ}\text{C}$ in the measurement range -10°C to $+85^{\circ}\text{C}$.

Calibration

Different levels of calibration are available, the manufacturers' calibration certification, UKAS calibration, and reference calibration at specific temperature points carried out by KoolZone.



Temperature Monitor



Accuracy $\pm 0.5^{\circ}\text{C}$



3 - 7 Years Battery Life



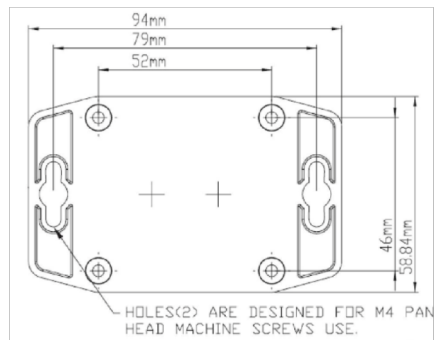
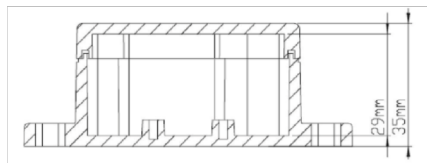
Wireless Connection



Out-of-the-Box

Technical Specification

Operating Temperature	Sensor electronics between -30°C to +50°C
Measurement Range	Sensor probe: -55°C to +125°C
Sensor Probe Accuracy	± 0.5°C between -10°C and +85°C ± 1°C from -30°C to -10°C, and +85°C to +100°C ± 2°C from -55°C to -30°C, and +100°C to +125°C
Measurement Resolution	0.1°C
IP Rating	IP65
Probe Dimensions	65mm x 6mm diameter stainless steel tube
Standard Cable Lengths	0.5 cm or 1m cable (other lengths available)
Probe Reaction Time	2mins 45 seconds (63% of delta)
Battery Type	Lithium thionyl chloride
Battery Life	3 to 7 Years depending on temperature 3 years with 10-minute sampling with entire sensor electronics inside fridge i.e. at typical fridge temperatures
Radio Signal	LoRaWAN 1.0.2, certified for use in UK, Europe, USA and other countries (please enquire), certification
Wireless Signal Distance	Free space range tested to 20Km



Note:

Monitored data and alarms are visible through KoolZone's sophisticated monitoring platform running on iOS or Android phone, iPad, tablet or laptop. Alert notifications can be sent by text, email, or phone.

This sensor probe is not suitable for direct long-term immersion in liquids or corrosive environments. An alternative KoolZone sensor probe is available for liquid immersion, including dishwashers.

Vendor Details:

UK OFFICE
KoolZone Ltd.
 The Hub, 14 Station Road,
 Henley-on-Thames, Oxfordshire, RG9 1AY, UK

GERMAN OFFICE
KoolZone Tracking Systems GmbH
 Rotkamp 37,
 13053 Berlin, Germany